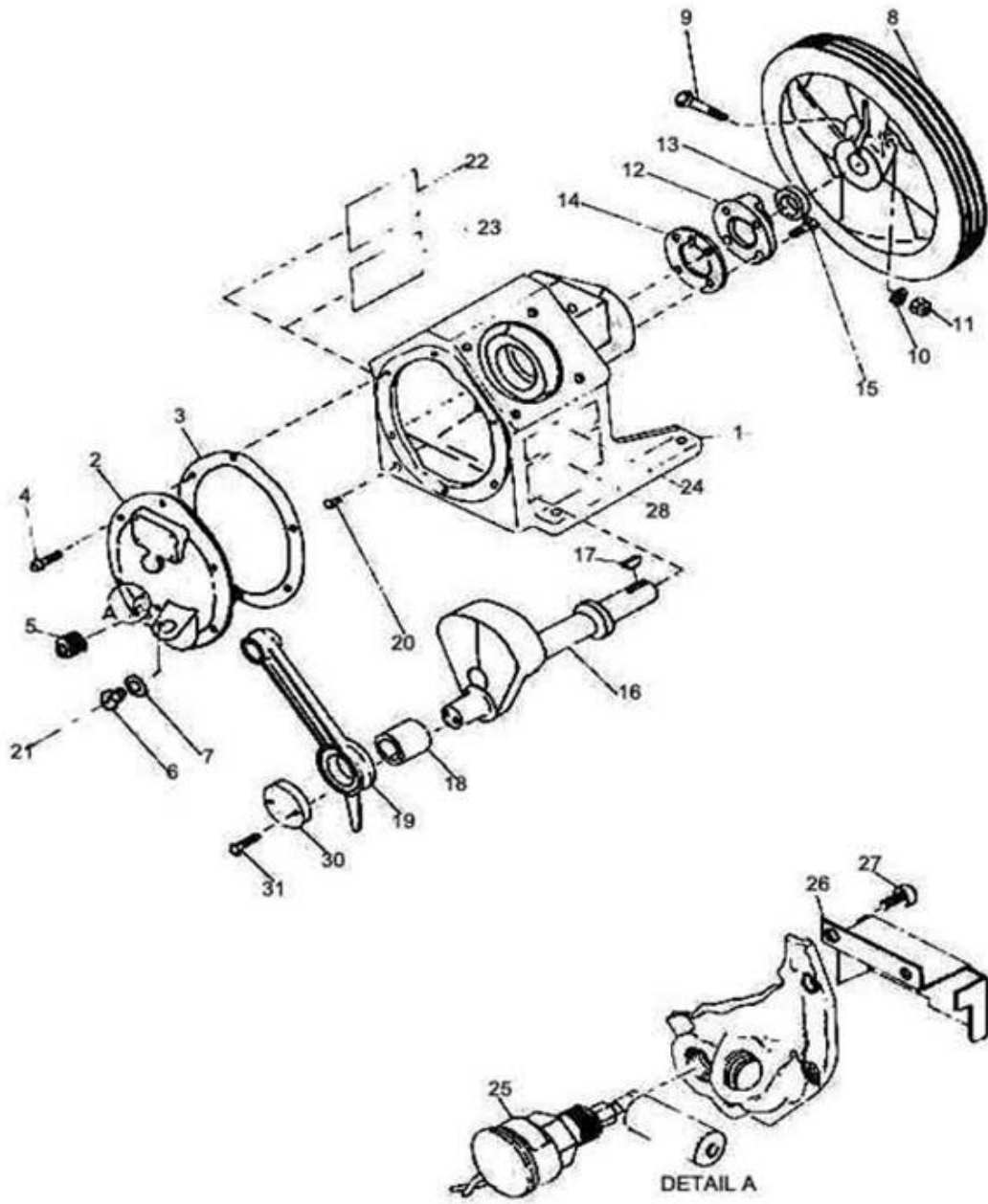


2. Frame Assembly - Model 253



All manufacturer's names, numbers, photos, product description and/or part numbers are used for reference purposes only & it is not implied that any part listed is the product of these manufacturers. Since Approvement are made from time to time, the illustration and specifications are subject to change without notice.

2. Frame Assembly - Model 253

| Ref. No. | Part Number | Description | Qty. per Assly. | Rec. Spares | | |
|----------|-------------|--|-----------------|-------------|---|---|
| | | | | 1 | 2 | 3 |
| 2-0 | | Frame Assembly | REF. | | | |
| 2-1 | 32003709 | Frame | 1 | | | |
| 2-2 | 37127990 | Cover Assy Shaft End | 1 | | | |
| 2-3 | 30439327 | Gasket Shaft End Cover | 1 | 1 | 1 | 2 |
| 2-4 | 32020224 | Capscrew Hex Head | 6 | | | |
| 2-5 | 95043238 | Plug-Square Socket Head | 1 | | | |
| 2-6 | 37127065 | Plug-Oil Filler | 1 | | | |
| 2-7 | 95018149 | "O" Ring | 1 | | | |
| 2-8 | 30212914 | wheel - Belt | 1 | | | |
| 2-9 | 95053708 | Capscrew Hex Head | 1 | | | |
| 2-10 | 95081824 | Washer - Lock | 1 | | | |
| 2-11 | 95077798 | Nut - Hex Head | 1 | | | |
| 2-12 | 32027765 | Cover Assy Shaft End 253 | 1 | | | |
| 2-13 | 32204570 | Seal Oil | 1 | 1 | 1 | 2 |
| 2-14 | 30280531 | Gasket - Shaft End Cover | 1 | 1 | 1 | 2 |
| 2-15 | 32020224 | Capscrew Hex Head | 4 | | | |
| 2-16 | 32027757 | Crankshaft - Assy 253 | 1 | | | 1 |
| 2-17 | 95433173 | Key - Woodruff | 1 | | | |
| 2-18 | 30210165 | Bushing - Crankpin | 1 | 1 | 1 | 2 |
| 2-19 | 32198160 | Rod - Connecting | 2 | | 2 | 2 |
| 2-20 | 95344651 | Plug - Pipe Hex Head | 1 | | | |
| 2-21 | 32000655 | Decal - Oil Plug | 1 | | | |
| 2-22 | 35815802 | Decal - Danger | 1 | | | |
| 2-23 | 37164308 | Decal - Caution | 1 | | | |
| 2-24 | 32015620 | Decal - Maintenance | 1 | | | |
| 2-30 | 30210280 | Disc Crank Pin | 1 | | | |
| 2-31 | 30278667 | Screw Cap Hex Head - Drilled | 2 | | | |
| 2-A | | Optional - Used With Low Oil Level Switch | | | | |
| 2-25 | 32001109 | Switch - Low Oil Level | 1 | | | 1 |
| 2-26 | 30285589 | Baffle - Low Oil Level Switch | 1 | | | |
| 2-27 | 95311650 | Capscrew Hex Head | 2 | | | |
| 2-28 | 95203063 | Decal - Low Oil Level Shutdown | 1 | | | |